



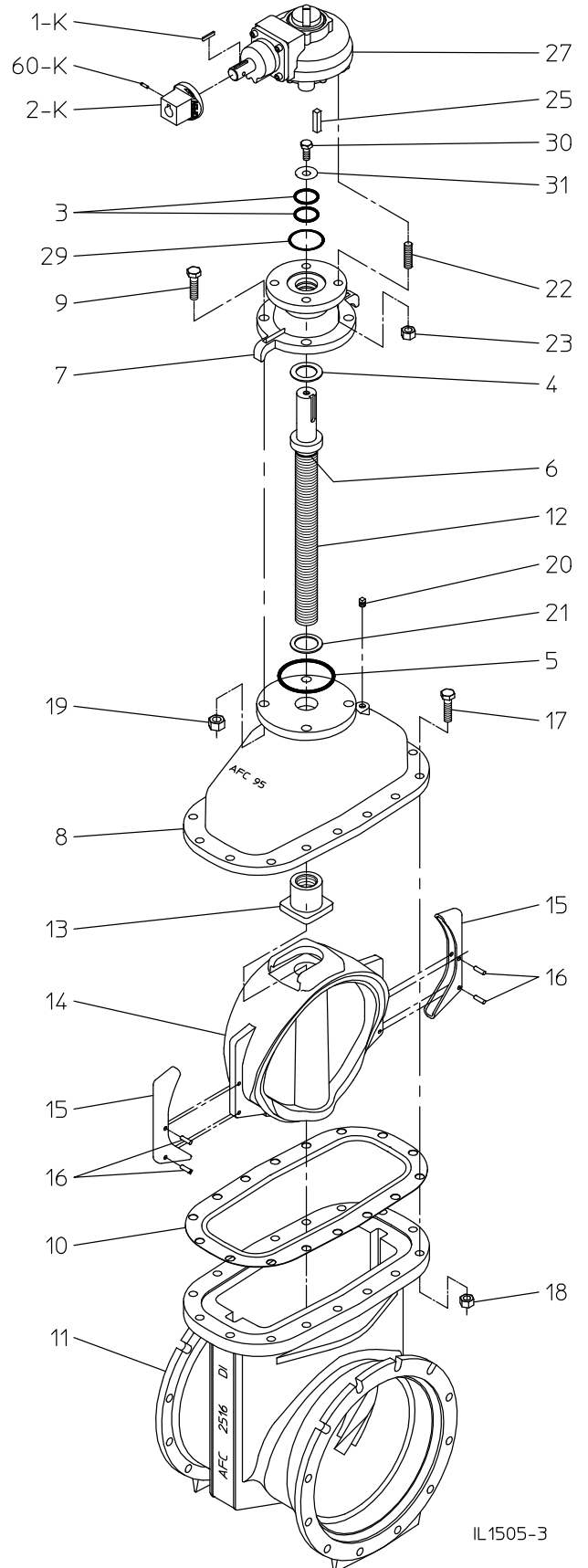
AMERICAN

FLOW CONTROL

THE RIGHT WAY

14" - 18" Resilient Wedge Gate Valves - Bevel Gear Actuator
PARTS LIST

Ref No.	Description	Material	Qty.		
			Series 2500		
			14"	16"	18"
1-K	Key 8 mm x 7 mm x 40 mm	Steel	1	1	1
2-K	Operating Nut, 2" Square	Ductile Iron	1	1	1
3	O-ring	Rubber	2	2	2
4	Upper Thrust Washer	Delrin	1	1	1
5	Stuffing Box Gasket	Rubber O-ring	1	1	1
6	O-ring	Rubber	1	1	1
7	Stuffing Box	Ductile Iron	1	1	1
8	Bonnet	Ductile Iron	1	1	1
9	Hex Head Bolt, 7/8-9 x 3"	Stainless Steel	4	4	4
10	Bonnet Gasket	Rubber	1	1	1
11	Body	Ductile Iron	1	1	1
12	Stem	Bronze	1	1	1
		Stainless Steel (Optional)			
13	Wedge Nut	Bronze	1	1	1
14	Resilient Wedge	Ductile Iron, Coated With EPDM Rubber	1	1	1
15	Wedge Cover	Polymer	2	2	2
16	Wedge Cover Pin	Polymer	2	4	4
17	Hex Head Bolt, 3/4-10 x 3-1/2"	Stainless Steel	14	16	-
17	Hex Head Bolt, 7/8-9 x 4"	Stainless Steel	-	-	16
18	Hex Nut, 3/4-10	Stainless Steel	14	16	-
18	Hex Nut, 7/8-9	Stainless Steel	-	-	16
19	Hex Nut, 7/8-9	Stainless Steel	4	4	4
20	Pipe Plug, 3/8 NPT	Stainless Steel	1	1	1
21	Lower Thrust Washer	Delrin	1	1	1
22	Stud, 5/8-11 x 2-3/4"	Stainless Steel	4	4	4
23	Hex Nut, 5/8-11	Stainless Steel	4	4	4
25	Square Key, 5/16 x 2-1/2	Hardened Steel	1	1	1
27	Bevel Gear Operator 2:1	Rotork IB5	1	1	1
29	Actuator Gasket	Rubber O-ring	1	1	1
30	Hex Head Bolt, 3/8-16 x 3/4"	Zinc Plated Steel	1	1	1
31	Washer	Steel	1	1	1
60-K	Spring Pin, 1/4 x 3/4"	Stainless Steel	1	1	1

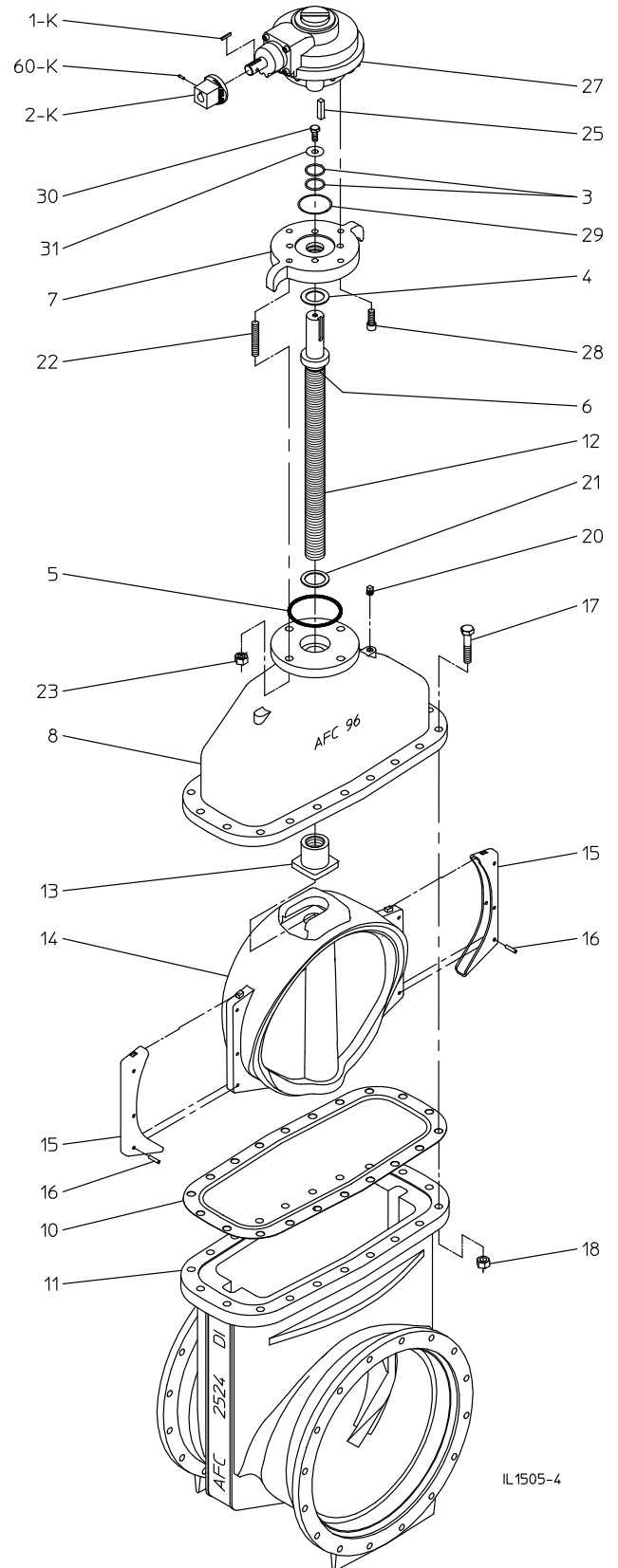


IL 1505-3

Valve is shown with end configuration for illustrative purposes only. Consult tables for information and availability of end configuration and dimensions.

20" - 24" Resilient Wedge Gate Valves - Bevel Gear Actuator PARTS LIST

Ref No.	Description	Material	Qty.	
			Series 2500	
			20"	24"
1-K	Key 8 mm x 7 mm x 40 mm	Steel	1	1
2-K	Operating Nut, 2" Square	Ductile Iron	1	1
3	O-ring	Rubber	2	2
4	Upper Thrust Washer	Delrin	1	1
5	Stuffing Box Gasket	Rubber O-ring	1	1
6	O-ring	Rubber	1	1
7	Stuffing Box	Ductile Iron	1	1
8	Bonnet	Ductile Iron	1	1
10	Bonnet Gasket	Rubber	1	1
11	Body	Ductile Iron	1	1
12	Stem	Bronze	1	1
		Stainless Steel (Optional)		
13	Wedge Nut	Bronze	1	1
14	Resilient Wedge	Ductile Iron, Coated With EPDM Rubber	1	1
15	Wedge Cover	Polymer	2	2
16	Wedge Cover Pin	Polymer	2	2
17	Hex Head Bolt, 7/8-9 x 4-1/2"	Stainless Steel	18	-
17	Hex Head Bolt, 7/8-9 x 5"	Stainless Steel	-	20
18	Hex Nut, 7/8-9	Stainless Steel	18	20
20	Pipe Plug, 3/8 NPT	Stainless Steel	1	1
21	Lower Thrust Washer	Delrin	1	1
22	Stud, 7/8-9 x 3-1/2"	Stainless Steel	4	4
23	Hex Nut, 7/8-9	Stainless Steel	4	4
25	Square Key, 1/2 x 2-3/4	Hardened Steel	1	1
27	Bevel Gear Operator 3:1	Rotork IB7	1	1
28	Socket Head Cap Screw 3/4-10 x 2"	Stainless Steel	4	4
29	Actuator Gasket	Rubber O-ring	1	1
30	Hex Head Bolt, 1/2-13 x 1"	Zinc Plated Steel	1	1
31	Washer	Steel	1	1
60-K	Spring Pin, 1/4 x 3/4"	Stainless Steel	1	1



Valve is shown with end configuration for illustrative purposes only. Consult tables for information and availability of end configuration and dimensions.



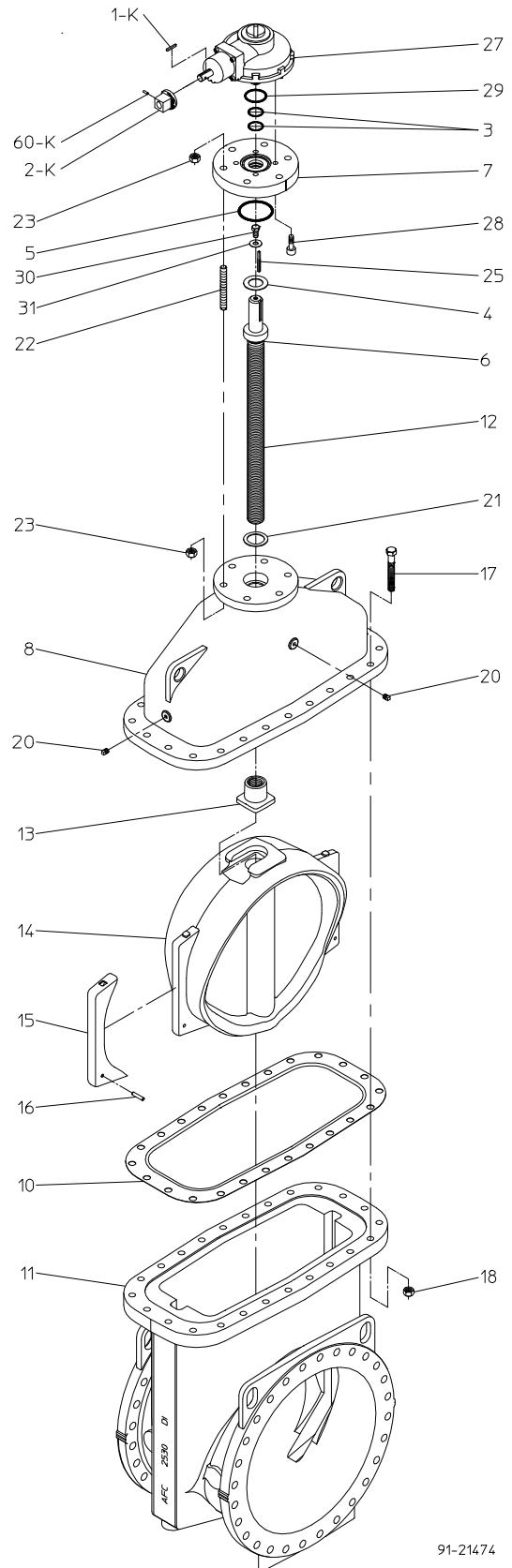
AMERICAN

FLOW CONTROL

THE RIGHT WAY

**30" - 36" Resilient Wedge Gate Valves - Bevel Gear Actuator
PARTS LIST**

Ref No.	Description	Material	Qty.	
			Series 2500	
			30"	36"
1-K	Key 8 mm x 7 mm x 40 mm	Steel	1	1
2-K	Operating Nut, 2" Square	Ductile Iron	1	1
3	O-ring	Rubber	2	2
4	Upper Thrust Washer	Delrin	1	1
5	Stuffing Box Gasket	Rubber O-ring	1	1
6	O-ring	Rubber	1	1
7	Stuffing Box	Ductile Iron	1	1
8	Bonnet	Ductile Iron	1	1
10	Bonnet Gasket	Rubber	1	-
10	Bonnet Gasket	EPDM Rubber	-	1
11	Body	Ductile Iron	1	1
12	Stem	Bronze	1	1
		Stainless Steel (Optional)		
13	Wedge Nut	Bronze	1	1
14	Resilient Wedge	Ductile Iron, Coated With EPDM Rubber	1	1
15	Wedge Cover	Polymer	2	2
16	Wedge Cover Pin	Polymer	2	2
17	Hex Head Bolt, 1-8 x 6"	Stainless Steel	24	-
17	Hex Head Bolt, 1-1/4-7 x 7"	Stainless Steel	-	28
18	Hex Nut, 1"-8	Stainless Steel	24	-
18	Hex Nut, 1-1/4-7	Stainless Steel	-	28
20	Pipe Plug, 3/8 NPT	Stainless Steel	4	4
21	Lower Thrust Washer	Delrin	1	1
22	Stud, 1"-8 x 6"	Stainless Steel	6	-
22	Stud, 1"-8 x 6-1/2"	Stainless Steel	-	8
23	Hex Nut, 1"-8	Stainless Steel	12	16
25	Square Key, 1/2 x 3-1/2	Hardened Steel	1	-
25	Square Key, 5/8 x 4"	Hardened Steel	-	1
27	Bevel Gear Operator 4:1	Rotork IB8	1	-
27	Bevel Gear Operator 4:1	Rotork IB10	-	1
28	Socket Head Cap Screw 3/4-10 x 2"	Stainless Steel	4	-
28	Socket Head Cap Screw 5/8-11 x 2"	Stainless Steel	-	8
29	Actuator Gasket	Rubber O-ring	1	1
30	Hex Head Bolt, 3/4-10 x 1"	Zinc Plated Steel	1	1
31	Washer	Steel	1	1
60-K	Spring Pin, 1/4 x 3/4"	Stainless Steel	1	1



91-21474

Valve is shown with end configuration for illustrative purposes only. Consult tables for information and availability of end configuration and dimensions.



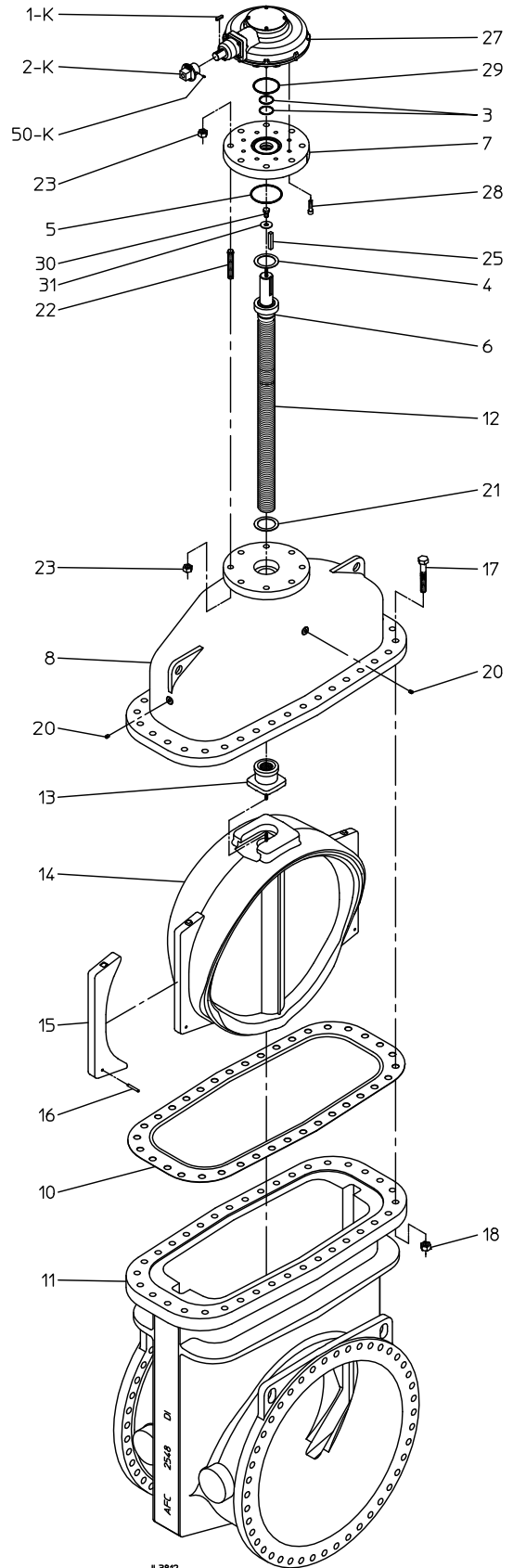
AMERICAN

FLOW CONTROL

THE RIGHT WAY

**42" - 48" Resilient Wedge Gate Valves - Bevel Gear Actuator
PARTS LIST**

Ref No.	Description	Material	Qty.	
			Series 2500	
			42"	48"
1-K	Key 14 mm x 9 mm x 54 mm	Steel	1	1
2-K	Operating Nut, 2" Square	Ductile Iron	1	1
3	O-ring	Rubber	2	2
4	Upper Thrust Washer	Delrin	1	1
5	Stuffing Box Gasket	Rubber O-ring	1	1
6	O-ring	Rubber	1	1
7	Stuffing Box	Ductile Iron	1	1
8	Bonnet	Ductile Iron	1	1
10	Bonnet Gasket	EPDM Rubber	1	1
11	Body	Ductile Iron	1	1
12	Stem	Bronze	1	1
		Stainless Steel (Optional)		
13	Wedge Nut	Bronze	1	1
14	Resilient Wedge	Ductile Iron, Coated With EPDM Rubber	1	1
15	Wedge Cover	Polymer	2	2
16	Wedge Cover Pin	Polymer	2	2
17	Hex Head Bolt, 1-1/4-7 x 7-1/2"	Stainless Steel	32	-
17	Hex Head Bolt, 1-3/8-6 x 8-1/2"	Stainless Steel	-	36
18	Hex Nut, 1-1/4-7	Stainless Steel	32	-
18	Hex Nut, 1-3/8-6	Stainless Steel	-	36
20	Pipe Plug, 1/2 NPT	Stainless Steel	4	4
21	Lower Thrust Washer	Delrin	1	1
22	Stud, 1-1/4-7 x 7-1/2"	Stainless Steel	8	-
22	Stud, 1-1/4-7 x 7-3/4"	Stainless Steel	-	8
23	Hex Nut, 1-1/4-7	Stainless Steel	16	16
25	Square Key, 3/4 x 4-1/2	Hardened Steel	1	1
27	Bevel Gear Operator 8:1	Rotork IB12	1	1
28	Socket Head Cap Screw 3/4-10 x 2-1/2"	Stainless Steel	8	8
29	Actuator Gasket	Rubber O-ring	1	1
30	Hex Head Bolt, 7/8-9 x 1-1/2"	Zinc Plated Steel	1	1
31	Washer	Steel	1	1
50-K	Set Screw 5/16-18 x 3/4"	Stainless Steel	1	1



IL3812

Valve is shown with end configuration for illustrative purposes only. Consult tables for information and availability of end configuration and dimensions.