



AMERICAN

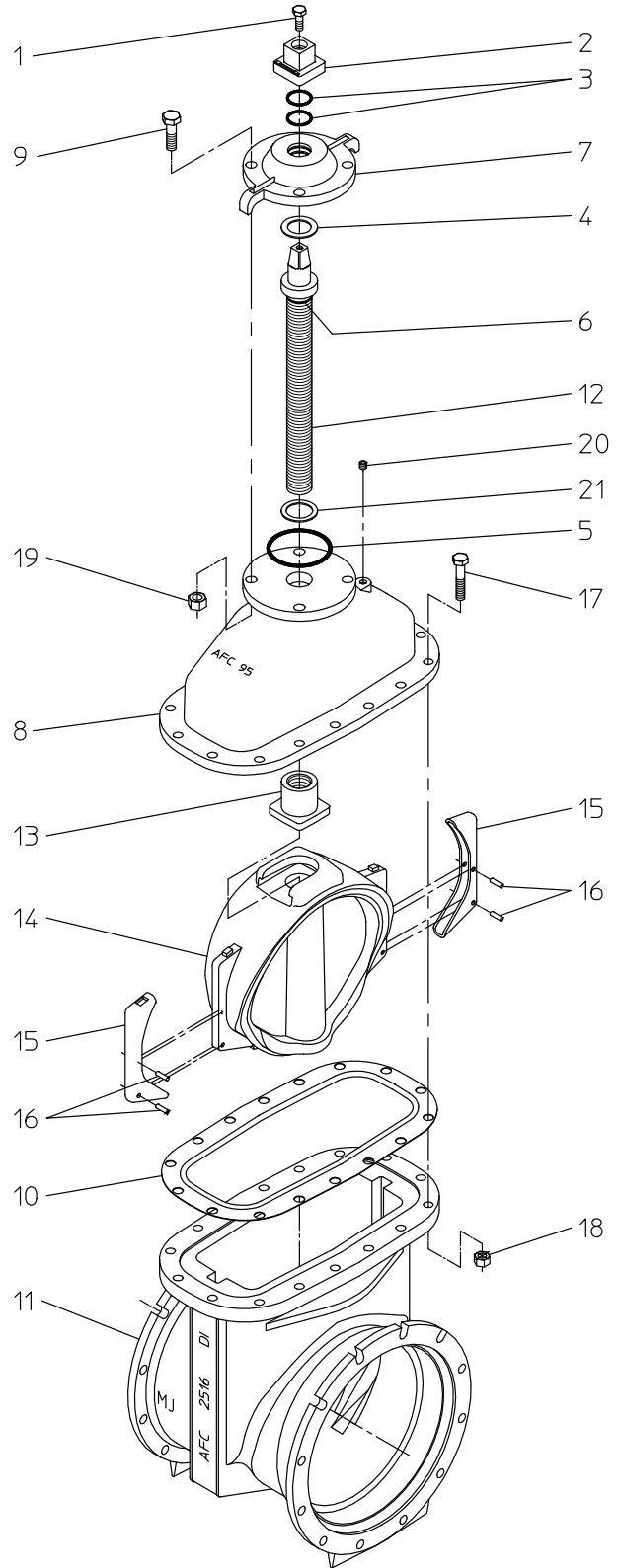
FLOW CONTROL

THE RIGHT WAY

14" - 16" Resilient Wedge Gate Valves

PARTS LIST

| Ref No. | Description | Material | Qty. | |
|---------|--------------------------------|---------------------------------------|-------------|-----|
| | | | Series 2500 | |
| | | | 14" | 16" |
| 1 | Hex Head Bolt, 5/8-11 x 1-3/4" | Stainless Steel | 1 | 1 |
| 2 | Operating Nut, 2" Square | Ductile Iron | 1 | 1 |
| 3 | O-ring | Rubber | 2 | 2 |
| 4 | Upper Thrust Washer | Delrin | 1 | 1 |
| 5 | Stuffing Box Gasket | Rubber O-ring | 1 | 1 |
| 6 | O-ring | Rubber | 1 | 1 |
| 7 | Stuffing Box | Ductile Iron | 1 | 1 |
| 8 | Bonnet | Ductile Iron | 1 | 1 |
| 9 | Hex Head Bolt, 7/8-9 x 3" | Stainless Steel | 4 | 4 |
| 10 | Bonnet Gasket | Rubber | 1 | 1 |
| 11 | Body | Ductile Iron | 1 | 1 |
| 12 | Stem | Bronze | 1 | 1 |
| | | Stainless Steel (Optional) | | |
| 13 | Wedge Nut | Bronze | 1 | 1 |
| 14 | Resilient Wedge | Ductile Iron, Coated With EPDM Rubber | 1 | 1 |
| 15 | Wedge Cover | Polymer | 2 | 2 |
| 16 | Wedge Cover Pin | Polymer | 2 | 4 |
| 17 | Hex Head Bolt, 3/4-10 x 3-1/2" | Stainless Steel | 14 | 16 |
| 18 | Hex Nut, 3/4-10 | Stainless Steel | 14 | 16 |
| 19 | Hex Nut, 7/8-9 | Stainless Steel | 4 | 4 |
| 20 | Pipe Plug, 3/8 NPT | Stainless Steel | 1 | 1 |
| 21 | Lower Thrust Washer | Delrin | 1 | 1 |



IL1507-2

Valve is shown with end configuration for illustrative purposes only. Consult tables for information and availability of end configuration and dimensions.